

Jet 1800**850002**

Bedienungsanleitung
Händetrockner für Wandmontage
Seite 1 bis 14

D/A/CH

Instruction manual
Hand dryer wall-mounted
from page 15 to 28

GB/UK

Mode d'emploi
Sèche-main pour montage mural
de page 29 à page 42

F/B/CH

Gebruiksaanwijzing
Handendroger voor wandmontage
blz. 85 t/m 98

NL/B

Instrukcja obsługi
Suszarka do rąk do montażu ściennego
strony od 141 do 154

PL

ENGLISH
Translation
of the original instruction manual



Read these instructions before using and keep them available at all times!

- 1. General information 16**
 - 1.1 Information about the instruction manual 16
 - 1.2 Key to symbols 16
 - 1.3 Liability and Warrantees 17
 - 1.4 Copyright protection 17
 - 1.5 Declaration of conformity 17

- 2. Safety 18**
 - 2.1 General information 18
 - 2.2 Safety instructions for use of the device 18
 - 2.3 Intended use 19

- 3. Transport, packaging and storage 20**
 - 3.1 Delivery check 20
 - 3.2 Packaging 20
 - 3.3 Storage 20

- 4. Technical data 21**
 - 4.1 Overview of parts 21
 - 4.2 Technical specification 22

- 5. Installation and operation 23**
 - 5.1 Safety instructions 23
 - 5.2 Installation and connection 24
 - 5.3 Operation 25

- 6. Cleaning and maintenance 27**
 - 6.1 Safety advice 27
 - 6.2 Cleaning and descaling 27
 - 6.3 Safety instructions for maintenance 27

- 7. Waste disposal 28**

Bartscher GmbH
Franz-Kleine-Str. 28
D-33154 Salzkotten
Germany

phone: +49 (0) 5258 971-0
fax: +49 (0) 5258 971-120

1. General information

1.1 Information about the instruction manual

This instruction manual contains information about the installation, operation and maintenance of the device and should be consulted as an important source of information and reference guide.

Awareness of the safety instructions and instructions for use in this manual will ensure the safe and correct use of the device.

In addition to the information given here, you should comply with any local Health and safety Controls and generally applicable safety regulations.

The instruction manual forms part of the product and should be kept near the device and easily accessible for anyone carrying out the installation, servicing, maintenance or cleaning.

1.2 Key to symbols

In this manual, symbols are used to highlight important safety instructions and any advice relating to the device. The instructions should be followed very carefully to avoid any risk of accident, personal injury or material damage.



WARNING!

This symbol highlights hazards, which could lead to injury.

Please follow the instructions very carefully and proceed with particular attention in these cases.



WARNING! Electrical hazard!

This symbol draws attention to potential electrical hazards. If you do not follow the safety instructions, you may risk injury or death.



CAUTION!

This symbol highlights instructions, which should be followed to avoid any risk of damage, malfunctioning and/or breakdown of the device.



NOTE!

This symbol highlights tips and information, which have to be followed for an efficient and trouble-free operation of the device.

1.3 Liability and Warrantees

All the information and instructions in this manual take into account standard safety regulations, current levels of technical engineering as well as the expertise and experience we have developed over the years.

The instruction manual was translated with all due care and attention. However, we do not accept liability for any translation errors. The German version of this instruction manual is definitive.

If the delivery consists of a special model, the actual scope of delivery may differ from the descriptions and illustrations in this manual. This is also the case for special orders or when the device has been modified in line with new technology.



NOTE!

Read this manual carefully and thoroughly before any operation of the device, and especially before turning it on!

Manufacturer **is not liable** for any damages or faults caused by:

- violation of advice concerning operation and cleaning;
- use other than designed;
- alterations made by user;
- use of inadequate spare parts.

We reserve the right to make technical changes for purposes of developing and improving the useful properties.

1.4 Copyright protection

The instruction manual including any texts, drawings, images or other illustrations is copyright. No part of this publication may be reproduced, transmitted or used in any form or by any means without permission in writing from the manufacturer. Any person who commits any unauthorized act in relation to this publication shall be liable to claims for damages. All rights reserved.



NOTE!

The contents, texts, drawings, pictures and any other illustrations are copyright and subject to other protection rights. Any person unlawfully using this publication is liable to criminal prosecution.

1.5 Declaration of conformity

The device complies with the current standards and directives of the EU.

We certify this in the EC declaration of conformity.

If required we will be glad to send you the according declaration of conformity.

2. Safety

This section provides an overview of all important safety aspects.

In addition every chapter provides precise safety advice for the prevention of dangers which are highlighted by the use of the above mentioned symbols.

Furthermore, attention should be paid to all pictograms, markers and labels on the device, which must be kept in a permanent state of legibility.

By following all the important safety advice you gain an optimal protection against all hazards as well as the assurance of a safe and trouble-free operation.

2.1 General information

This device is designed in accordance with the presently applicable technological standards. However, the device can pose a danger if handled improperly and inappropriately.

Knowing the contents of the instruction manual as well as avoiding mistakes and thus operating this device safely and in a fault-free manner is very essential to protect yourselves from the hazards.

To prevent hazards and to ensure optimum efficiency, no modifications or alterations to the device that are not explicitly approved by the manufacturer may be undertaken.

This device may only be operated in technically proper and safe condition.

2.2 Safety instructions for use of the device

The specifications regarding the industrial safety are based on the Regulations of the European Union applicable at the time of manufacturing the device.

If the device is used commercially, the user is obliged to ensure that the said industrial safety measures concur with the state of the rules and regulations applicable at the time in question for the entire period of use of the device and to comply with the new specifications.

Outside the European Union, the industrial safety laws applicable at the place of installation of the device and the regional territorial provisions must be complied with.

Besides the industrial safety instructions in the instruction manual, the general safety and accident prevention regulations as well as environment protection regulations applicable for area of application of the device must be followed and complied with.



CAUTION!

- The device can be used by children **8 years and up**, as well as by people with disabilities and those with limited experience/knowledge as long as they are under supervision or have been instructed on proper use of the device and its possible dangers.

- **Children** should not play with the device.
- Cleaning and **maintenance cannot be performed by children** younger than 8 years old and must be done under supervision.
- **Children under the age of 8 years old** must be kept away from the device and its power cord.
- Please keep these instructions and give them to future owners of the device.
- All people using the device should follow the instructions and tips contained in these instructions.
- Only use the device indoors.

2.3 Intended use

Safe operation is only guaranteed when using the device for its intended purpose.

Any technical interventions, as well as assembly and maintenance are to be made by a qualified customer service only.

The device is intended for home use or in similar places such as:

- in kitchens for store or office employees or in other service locations;
- in suburban properties;
- by guests of hotels, motels and other places of accommodation;
- in Bed & Breakfasts.

The hand dryer is intended only for drying hands.

The device is designed for use in bathrooms, toilets and kitchens.



CAUTION!

Any use going beyond the intended purpose and/or any different use of the device is forbidden and is not considered as conventional.

Any claims against the manufacturer or his authorized representative as a consequence of experiencing damages resulting from unconventional use are impossible.

The operator is liable for all damages resulting from inappropriate use.

3. Transport, packaging and storage

3.1 Delivery check

Please check the delivery upon completeness and transport damage immediately after receipt. In case of visible damage do not accept or accept the delivery with reservation only.

Note the extent of damage on the carrier's bill of delivery. Trigger off the complaint.

Hidden damages should be reclaimed immediately after notice, as claims for damages can only be asserted within the effective period for complaints.

3.2 Packaging

Please do not throw away the covering carton of your device as it might be useful for storage purposes, when moving or, in case of damages, when the device must be sent back to a repair center. The outer and inner packing material should be removed completely from the device before installation.



NOTE!

If you liked to dispose the packing, consider the regulations applicable in your country. Supply re-usable packing materials to the recycling.

Please inspect the device upon completeness. In case any part is missing please contact our customer service center immediately.

3.3 Storage

Keep the package closed until installation and under consideration of the outside indicated positioning- and storage markings.

Packages should be stored under consideration of the following:

- Do not store outdoors.
- Keep it dry and dust-free.
- Do not expose it to aggressive media.
- Do not expose it to direct sunlight.
- Avoid mechanical shocks and vibration.
- In case of longer storage (> 3 months) make sure you check the state of the packaging and the parts regularly.
If required refresh or renew.

4. Technical data

4.1 Technical specification

Name	Hand dryer Jet 1800 wall-mounted
Code-No.:	850002
Construction:	Plastic housing, silver-grey coated
Power:	1.8 kW / 230 V 50 Hz
Dimensions:	W 295 x D 240 x H 650 mm
Air flow rate:	approx. 47 litres/sec.
Weight:	10.2 kg
Equipment:	Fastening material

We reserve the right to make technical changes!

Properties

- 2 high-performance air nozzles allow for fast and through hand drying. This efficient hand drying method is both hygienic and economical.
- Contactless infrared activation
- Automatic switch-off after 30 seconds
- Digital display
- Red LED lighting in air shaft
- Removable receptacle for condensation at the bottom of the device, easy emptying and cleaning
- Air filter

4.2 Overview of parts



- ① Digital display
- ② **ON/OFF** switch
- ③ LED lighting (red)
- ④ Lower sensor
- ⑤ Upper sensor
- ⑥ Air nozzle strips (2)
- ⑦ Housing
- ⑧ Condensation receptacle

5. Installation and operation

5.1 Safety instructions



WARNING! Risk of electric shock!

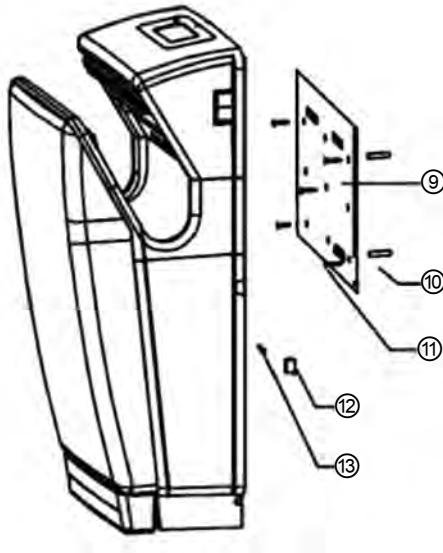
The device must only be connected to a properly installed single socket with protective contact.

Never remove the power cable by pulling the cable itself; always grab the plug housing.

- Never allow the power cable to come into contact with heat sources or sharp edges. The power cable should not hang over the side of the working surface. Ensure that no one can step on or trip over the cable.
- The power cable must not be folded, bent or tangled, and must always remain fully unrolled.
- Never place the device or other objects on the power cable.
- Do not lay the cable over carpets or heat insulations. Do not cover the cable. Keep away the cable from operating range and do not dunk it into water.
- Do not use the device in case it does not function properly, has been damaged or dropped.
- Do not use any accessory or spare parts that have not been recommended by the manufacturer. These can be dangerous for the user or lead to damages of the device or personal injury, and further, the warranty expires.

5.2 Installation and connection

- Unpack the device and remove packing material. Prepare everything needed to install the device.
- Install the hand dryer so that it is located directly on the way from the sink to the exit, as this will allow the user easy access to the device.
- Install the device at a height of 80-85 cm over the floor.



- ⑨ Fastening plate
- ⑩ Wall plug
- ⑪ Screw
- ⑫ Fastening screw cap
- ⑬ Fastening screw

- Loosen both fastening screws ⑬ under the caps ⑫.
- Next, remove the upper fastening plate ⑨ from the rear of the device by sliding it down from the hooks.

- Make marks at the desired height for drilling with the fastening plate held up against the wall. Drill holes and place wall plugs ⑩ inside. Use the supplied screws ⑪ to mount the fastening plate ⑨ to the wall.
- Place the dryer on the fastening plate ⑨ so that it is securely on the hooks of the fastening plate.
- Before mounting the device on the fastening plate, run the power cord through the openings at the rear of the device and secure it in them.
- Turn the fastening screws ⑬ and attach the fastening screw caps ⑫.



WARNING! Hazard via electrical current!

The device can cause injuries due to improper installation!

Before installation the local power grid specification should be compared with that of the device (see type label).

Connect the device only in case of compliance!

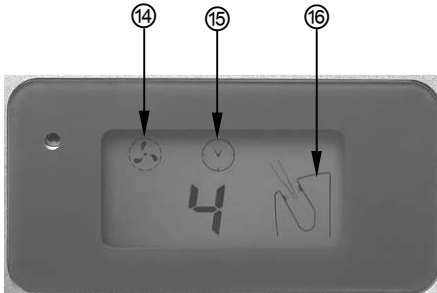
Take note of the security advice!

- The electrical circuit of the socket must be secured to at least 16A. Only connect the device to a wall outlet; do not use any extension cords or power strips.
- Place the device so that the plug is easily accessible so as to quickly disconnect the device if the need arises.

5.3 Operation

- Plug the device into a suitable socket.
- Turn the device on using the **ON/OFF** switch.
- The digital display will show the operating mode, "0" time counter and a diagram showing how to place hands inside the device.
- The red LED lighting in the air shaft will come on.

Digital display



- ⑭ Operating mode indicator
- ⑮ Time counter
- ⑯ Instructional diagram

- Place your hands deeply into the air shaft. The upper and lower infrared sensors will be activated and the device will come on automatically.
- Warm air will flow from the air nozzles and dry your hands.
- The operating mode and time in seconds will be displayed. After 30 seconds the device will automatically shut off.
- When your hands are dry, remove them from the air shaft. This will deactivate the infrared sensors and the device will automatically turn off. The ventilator will continue working for 3 seconds to cool the device down.



- The device is equipped with a condensation receptacle which must be regularly cleaned.



- If the device is to remain unused for a longer time, turn it off using the **ON/OFF** switch and remove its plug from the socket.

6. Cleaning and maintenance

6.1 Safety advice

- Before beginning with repair or cleaning works make sure the device has been disconnected from power supply and has cooled down.
- Do not use any acid agents and make sure no water ingresses the device.
- To protect yourself from electric shock, **never** immerse the device, its cables and the plug in water or other liquids.



CAUTION!

The device is not suited for direct washing via water jets.

Therefore, you must not use any kind of pressure water jet for cleaning the device!

6.2 Cleaning

- Clean the device regularly.
- Clean the device's housing with a soft, moist cloth and a disinfecting substance.
- **Never** use harsh cleaning agents or sprays.
- Regularly remove the condensation receptacle, empty it and clean it with warm water and a mild cleaning agent. Ensure it is thoroughly dry before replacing it in the device.
- **Never** use flammable cleaning substances (spirit, etc.) as this will create a risk of fire and explosion when the device is activated again.
- Always use a soft cloth, **never** use aggressive cleaners that may scratch the device.
- After cleaning, dry the device's surface and polish it with a dry cloth.

6.3 Safety instructions for maintenance

- Inspect the power cable regularly for damage. Never use the device if the cable is damaged. If the power cable is damaged, have an authorised service center or qualified electrician replace it.
- In case of damage or malfunction, please contact your stockist or our customer service centre.
- Only a qualified technician and using original spare parts and accessories should carry out repairs and maintenance of the device. **Do not attempt to repair the device yourself.**

7. Waste disposal

Discarding old devices

At the end of its service life the discarded device has to be disposed in accordance with the national regulations. It is advisable to contact a company which is specialized in waste disposal, or just contact the local disposal service in your community.



WARNING!

To exclude any abuse and the dangers involved make the waste device unfit for use before disposal. For that purpose disconnect device from mains supply and remove mains connection cable from the device.



NOTE!



For the disposal of the device please consider and act according to the national and local rules and regulations.

Bartscher GmbH
Franz-Kleine-Str. 28
D-33154 Salzkotten
Germany

phone: +49 (0) 5258 971-0
fax: +49 (0) 5258 971-120