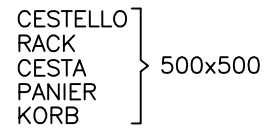
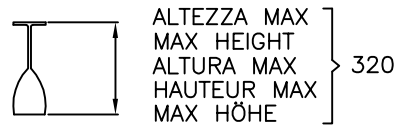
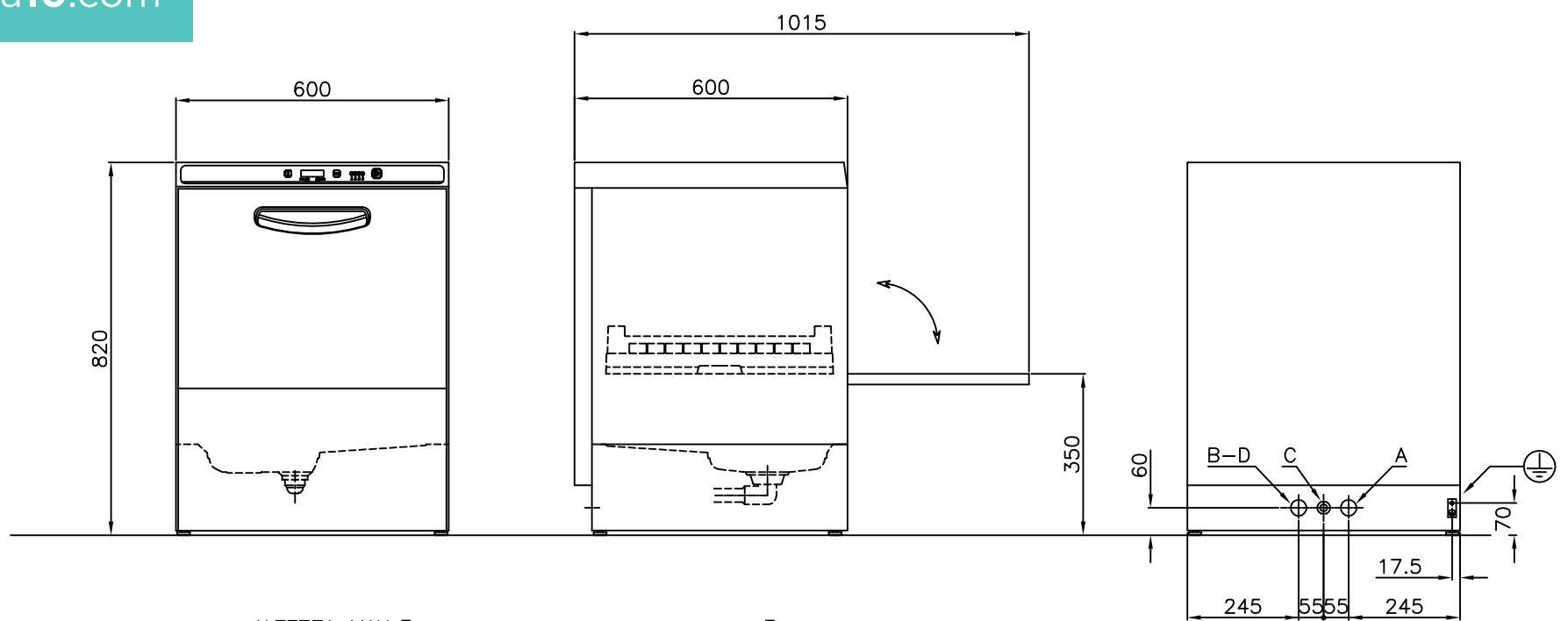
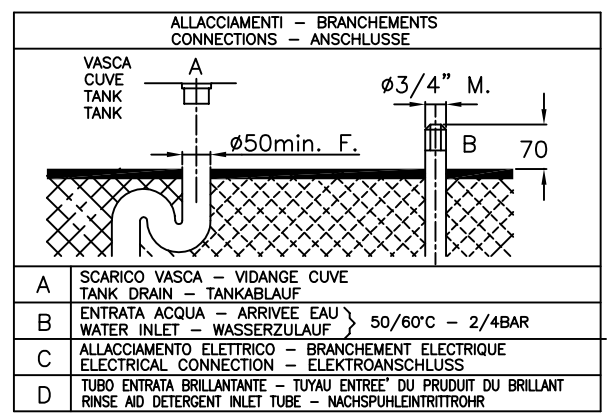
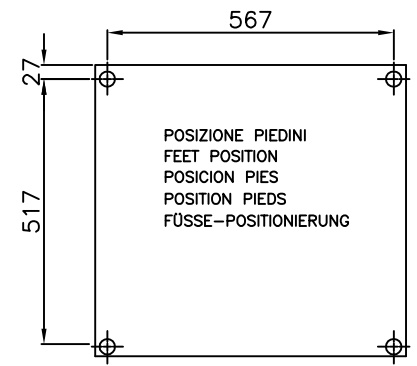


This drawing is the property of and shall not be reproduced for any purpose without our consent



FRONTALE MACCHINA
FRONT OF MACHINE
LADO ANTERIOR MAQUINA
COTE ANTERIEUR MACHINE
VORDERSEITE



SCALA	MOD.	 VIA LUPISCOLDI 1 - VENEZIA SUP. (VA)	
DATA	CE 60		
30/10/17		COD.	REV.
FIRMA		INH00147	
m.v.			